

# 2020

PARTS CATALOG



  
*Specialty Enterprises*  


## Parts Orders & Customer Service:

---

Congratulations on your purchase of a Millennium Boom Product!

Customer satisfaction is our goal, so please contact us if you have any questions or needs with your recent purchase. As always, we stand by our work and impeccable service. Please look to us, Specialty Enterprises, to become the company you rely on for all of your spray boom needs.



## How to Order:

---

Parts orders can be placed by phone Monday - Friday 8:00am - 5:00pm Central. Please call (920) 787-7010 to speak with someone in our parts department.

You can also email your parts orders to: [parts@spraybooms.com](mailto:parts@spraybooms.com)

## Sales & Support Contact Info:

---

Customer satisfaction has always been our top priority, so please feel free to contact us if you have any questions or needs related to your Millennium spray booms. You can also find answers to commonly asked questions on our [website's FAQ](#), as well as forms you can use to contact our various departments, just visit <http://spraybooms.com>

### Parts Sales

(920) 787-7010

[parts@spraybooms.com](mailto:parts@spraybooms.com)

### Boom Sales

(920) 787-7010

[sales@spraybooms.com](mailto:sales@spraybooms.com)

### Field Service & Support

(920) 240-5218

[support@spraybooms.com](mailto:support@spraybooms.com)

### Specialty Enterprises, LLC - Main Office

PO Box 368

123 Pickle Row

Wautoma, WI 54982

Phone: (920) 787-7010

Fax: (920) 787-7030

Email: [info@spraybooms.com](mailto:info@spraybooms.com)

### Business hours:

M-Th: 8:00am - 5:00pm

Fri: 8:00am - 4:00pm



# Table of Contents

## **Part I: Primary Section**

<i>Primary assembly</i> .....	1
-------------------------------	---

## **Part II: Secondary Section**

<i>Secondary assembly</i> .....	2
<i>Hinge ears</i> .....	3
<i>Hinge end</i> .....	4
<i>Spring &amp; tensioner rod</i> .....	5
<i>Breakaway end</i> .....	6

## **Part III: Breakaway Section**

<i>Breakaway assembly</i> .....	7
<i>Breakaway damper</i> .....	8

## **Part IV: Accessories**

<i>Boom cradles</i> .....	9
<i>Lift lug ears</i> .....	10
<i>Bump stop kit</i> .....	10
<i>Secondary shelf bracket</i> .....	11
<i>Attachment brackets</i> .....	11
<i>Pin assembly &amp; ring</i> .....	11
<i>Fold cylinder hydraulics</i> .....	12

## **Part V: Plumbing, Electrical & Nozzle Layouts**

<b>120' x 15 ON</b>	
<i>Plumbing layout</i> .....	13
<i>Electrical layout</i> .....	14
<i>Nozzle layout</i> .....	15
<b>120' x 15 OFF</b>	
<i>Plumbing layout</i> .....	16
<i>Electrical layout</i> .....	17
<i>Nozzle layout</i> .....	18
<b>132' x 15 ON</b>	
<i>Plumbing layout</i> .....	19
<i>Electrical layout</i> .....	20
<i>Nozzle layout</i> .....	21
<b>132' x 19 ON</b>	
<i>Plumbing layout</i> .....	22
<b>132' x 20 OFF</b>	
<i>Plumbing layout</i> .....	23
<i>Electrical layout</i> .....	24
<i>Nozzle layout</i> .....	25

# 1.1 - PRIMARY SECTION

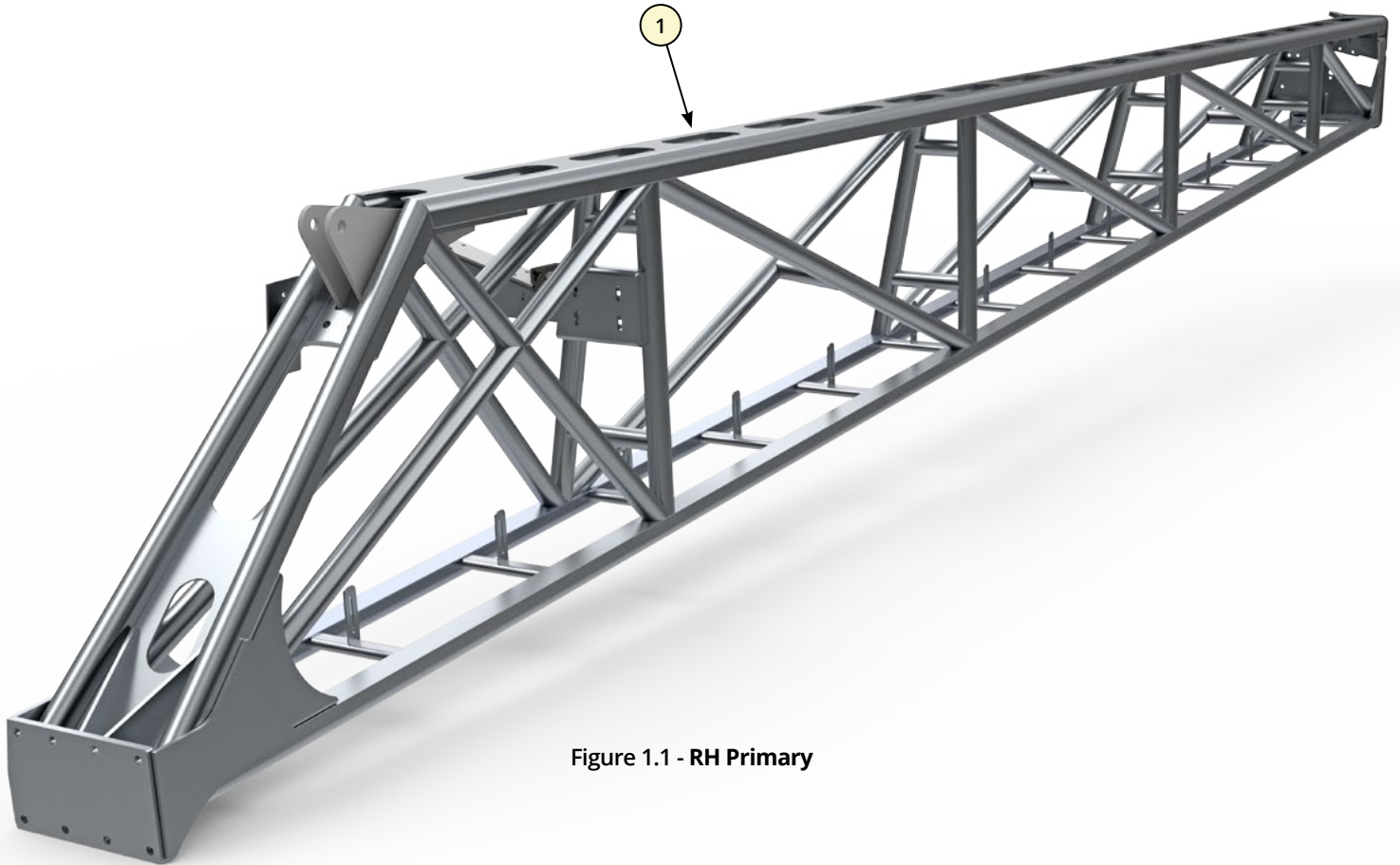


Figure 1.1 - RH Primary

Ref #	Part #	Description	Qty
NOT SHOWN	SE-104191-01	PRIMARY, 66-120, 15N, LH	1
1	SE-104192-01	PRIMARY, 66-120, 15N, RH	1
NOT SHOWN	SE-104191-02	PRIMARY, 66-120, 20F, LH	1
NOT SHOWN	SE-104192-02	PRIMARY, 66-120, 20F, RH	1
NOT SHOWN	SE-104191-01	PRIMARY, 66-132, 15N, LH	1
NOT SHOWN	SE-104192-01	PRIMARY, 66-132, 15N, RH	1
NOT SHOWN	SE-104191-04	PRIMARY, 66-132, 19N, LH	1
NOT SHOWN	SE-104192-04	PRIMARY, 66-132, 19N, RH	1
NOT SHOWN	SE-104191-02	PRIMARY, 66-132, 20F, LH	1
NOT SHOWN	SE-104192-02	PRIMARY, 66-132, 20F, LH	1



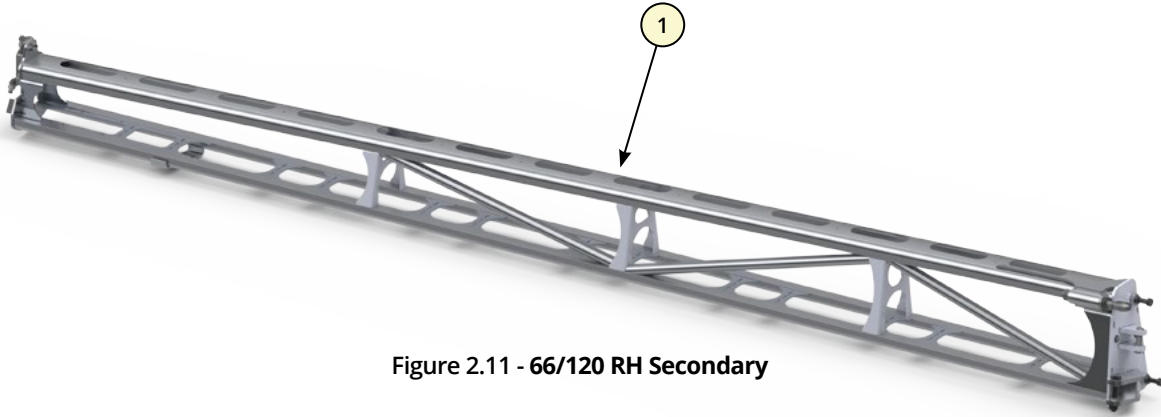


Figure 2.11 - 66/120 RH Secondary

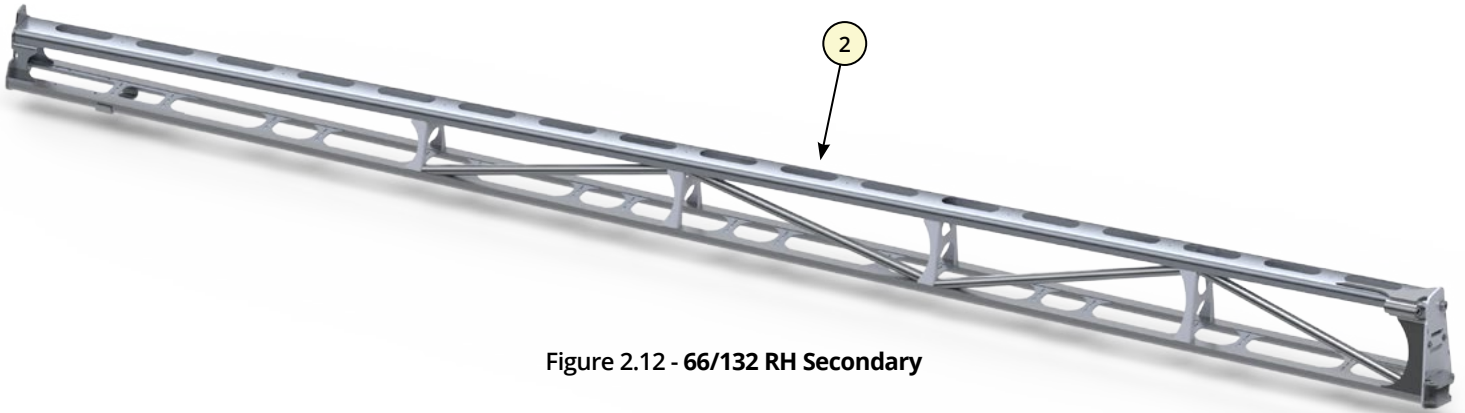


Figure 2.12 - 66/132 RH Secondary

Ref #	Part #	Description	Qty
1	SE-104186-01	SECONDARY, 66-120, 15N, LH	1
NOT SHOWN	SE-104185-01	SECONDARY, 66-120, 15N, RH	1
NOT SHOWN	SE-104186-02	SECONDARY, 66-120, 20F, LH	1
NOT SHOWN	SE-104185-02	SECONDARY, 66-120, 20F, RH	1
NOT SHOWN	SE-104184-01	SECONDARY, 66-132, 15N, LH	1
2	SE-104183-01	SECONDARY, 66-132, 15N, RH	1
NOT SHOWN	SE-104184-04	SECONDARY, 66-132, 19N, LH	1
NOT SHOWN	SE-104183-04	SECONDARY, 66-132, 19N, RH	1
NOT SHOWN	SE-104184-02	SECONDARY, 66-132, 20F, LH	1
NOT SHOWN	SE-104183-02	SECONDARY, 66-132, 20F, RH	1

## 2.2 - SECONDARY SECTION

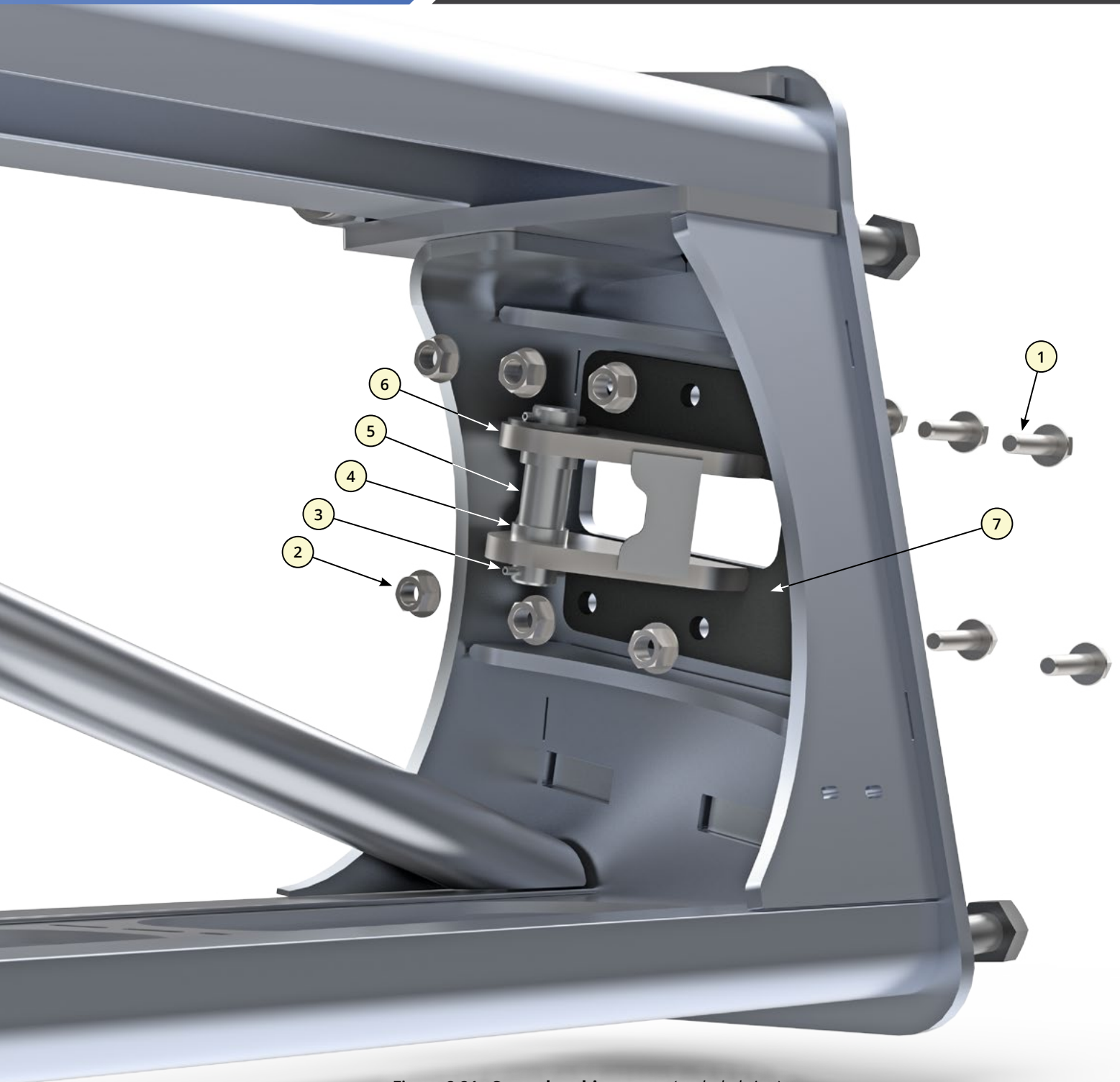


Figure 2.21 - Secondary hinge ears (exploded view)

Ref #	Part #	Description	Qty
1	SE-101769-12	FLG HD CAPSCREW, .50 - 13 X 1.75 G8	6
2	SE-101770-05	FNUT 1/2-13 G8	6
3	SE-102140	SPRING PIN, .19 X 1.62 SS	2
4	SE-101144	WASHER, 1.25 X 1.01 X .309	2
5	SE-104065	PIN 1.00 X 3.88 SS	1
6	SE-103966	EAR ASSY, HINGE	1
NOT SHOWN	SE-104069	EAR ASSY, OPPOSITE	1
NOT SHOWN	SE-104102	HINGE BOX ASSY, LH BOOM	1
7	SE-104106	HINGE BOX ASSY, RH BOOM	1

## 2.3 - SECONDARY SECTION

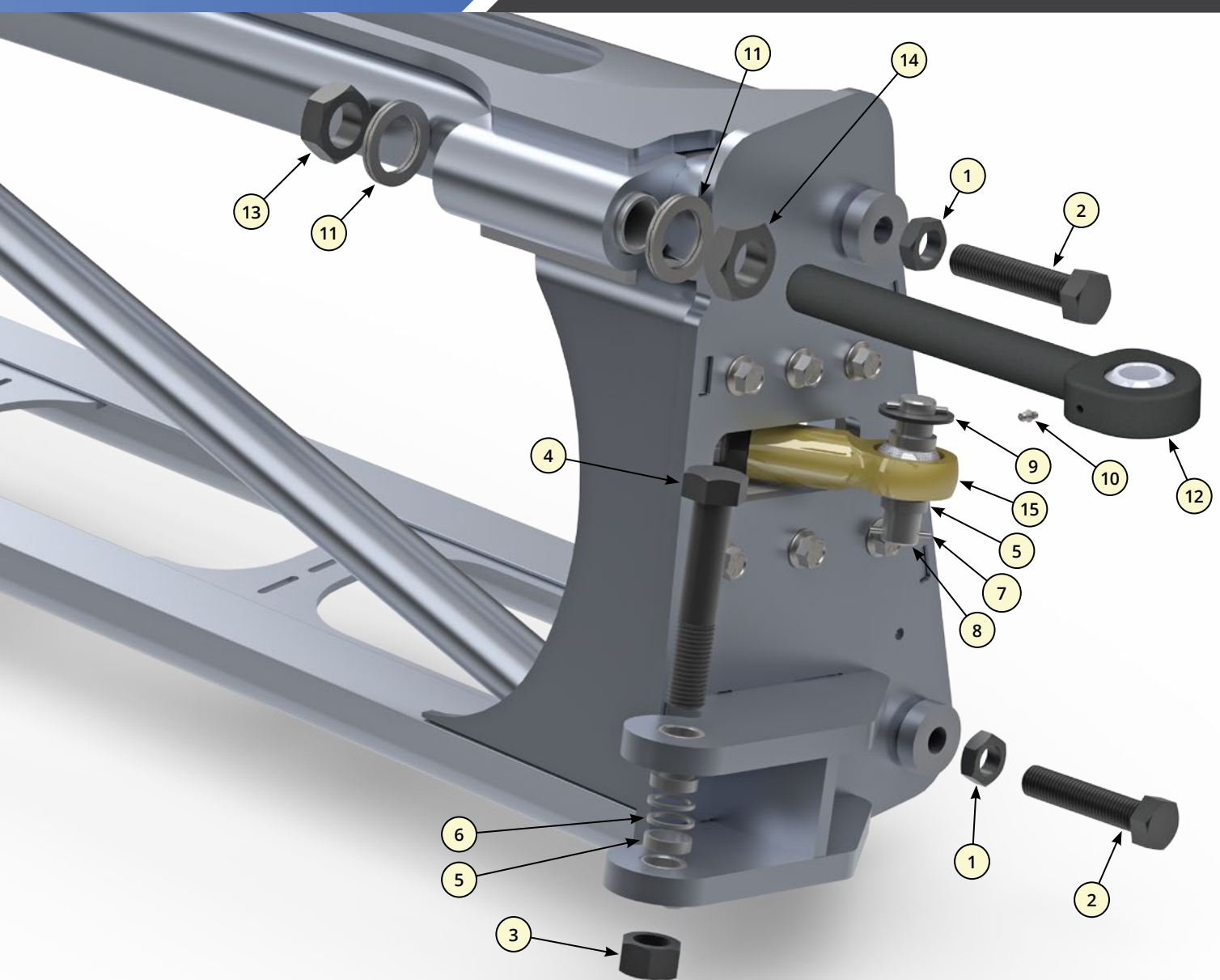


Figure 2.31 - Secondary hinge end (exploded view)

Ref #	Part #	Description	Qty
1	SE-101758-09	JAM NUT 7/8-9	2
2	SE-101766-05	CAPSCREW .88-9 X 3.50 G8	2
3	SE-101753-10	TOP LOCK NUT 1.0-8	1
4	SE-101768-09	CAPSCREW 1.00-8 X 5.50 G8	1
5	SE-101144	WASHER, 1.25 X 1.01 X .309	4
6	SE-101142	WASHER, 1.25 X 1.01 X .103	2
7	SE-102140	SPRING PIN .19 X 1.62 SS	2
8	SE-104065	PIN, 1.00 X 3.88 SS	1
9	SE-101754-10	WASHER, PLAIN 1.00	1
10	SE-101767	FITTING, GREASE ST 1/4-28	2
11	SE-101760-11	WASHER, NORD-LOCK 1.50	2
12	SE-103168	ROD END, HINGE RH	1
13	SE-101942-11	JAM NUT 1.25-12 UNF-2B	1
14	SE-101861-11	JAM NUT 1.25-12 UNF-2B	1
NOT SHOWN	SE-101135	MALE THREADED BALL JOINT	1
	SE-101136	FEMALE THREADED BALL JOINT	1

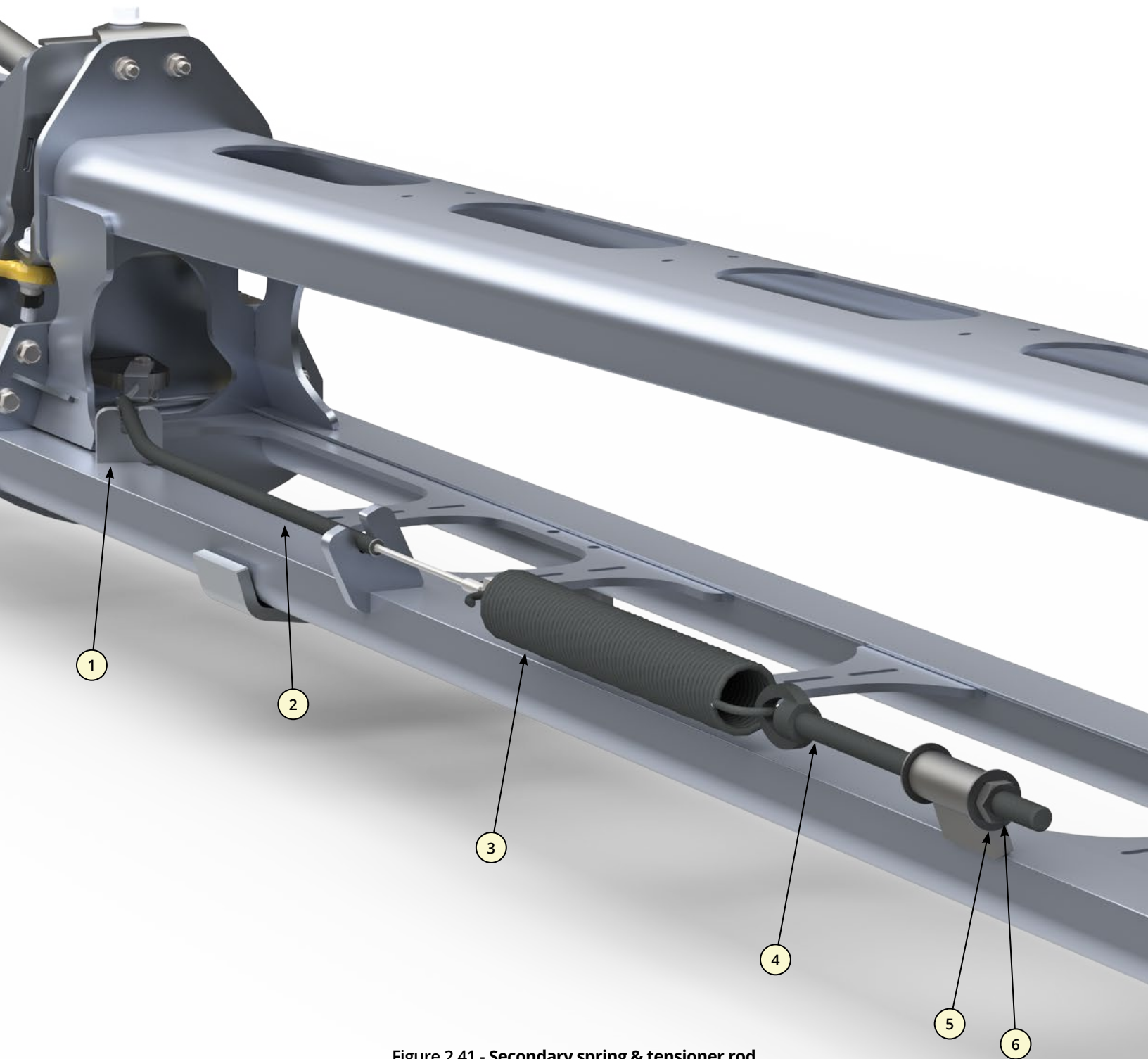


Figure 2.41 - Secondary spring & tensioner rod

Ref #	Part #	Description	Qty
1	SE-101842	TAB, SPRING GUIDE	1
2	SE-100166L	CABLE, BREAKAWAY CONTROL	1
3	SE-160939	SPRING, BREAKAWAY	1
4	SE-AB414A	CABLE TENSIONER ASSY	1
5	SE-101754-07	WASHER, PLAIN 5/8	2
6	SE-101758-07	JAM NUT 5/8 - 11	2



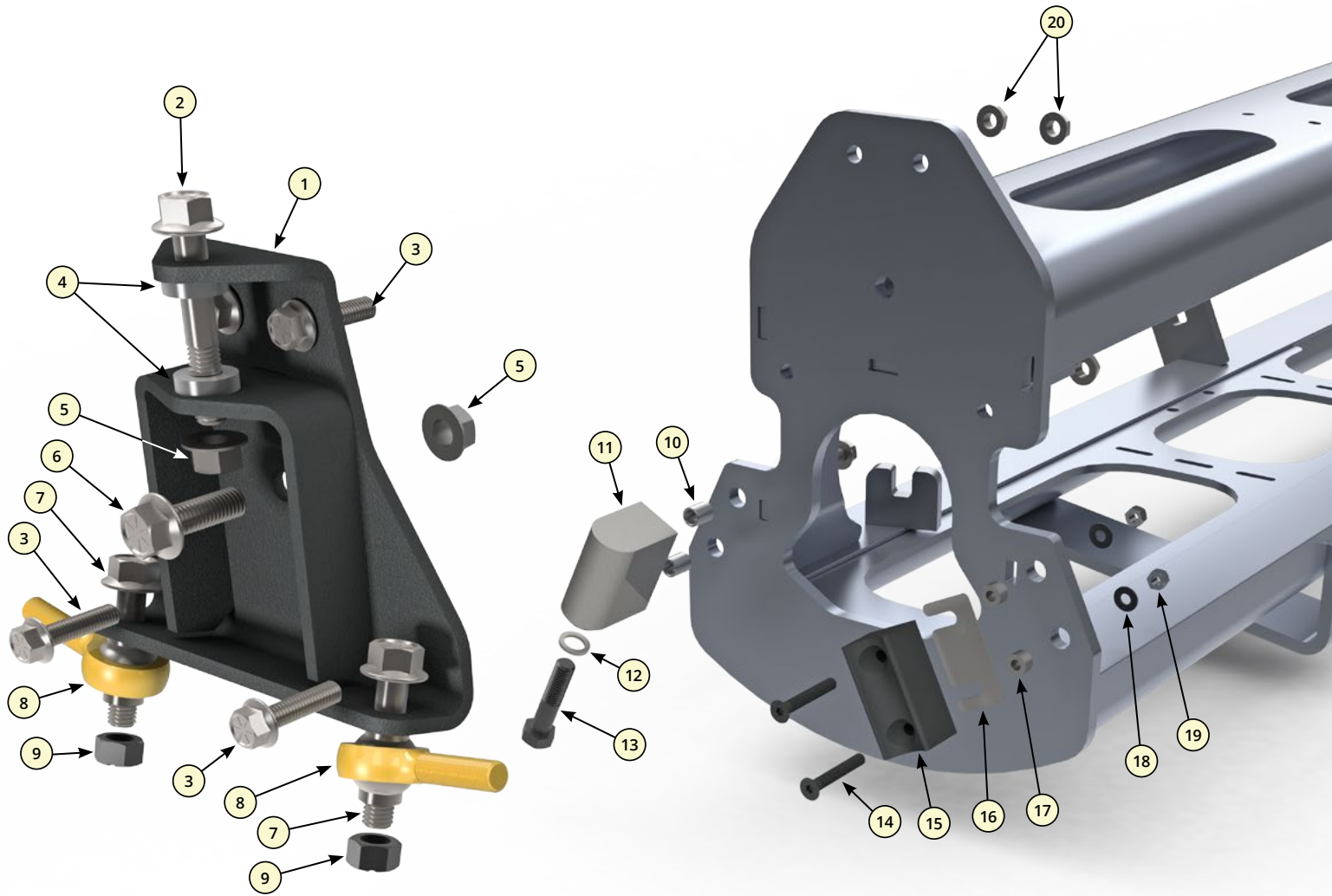


Figure 2.51 - Secondary breakaway end (exploded view)

Ref #	Part #	Description	Qty
1	SE-102078	SCNDRY HINGE BRKT ASSY	1
2	SE-101769-06	FHCS .50-13 X 3.00 G8	1
3	SE-101772-03	FHCS 3/8-16 X 1.50 G8	4
4	SE-101795	SPACER, 1.00 OD X .50 ID X .25	2
5	SE-101770-05	FNUT 1/2-13 G8	2
6	SE-101769-02	FHCS .50-13 X 1.50 G8	1
7	SE-101769-04	FHCS .50-13 X 2.50 G8	2
8	SE-101798	ROD END, LWR BALL JOINT	2
9	SE-101753-03	TOP LOCK NUT 1/2-13"	2
10	SE-101796	DOWEL, ALIGNMENT	2
11	SE-101792	BLOCK, LWR PIVOT MTG	1
12	SE-101760-05	WASHER, NORD-LOCK 1/2"	1
13	SE-101751-08	CAPSCREW .50-13 X 2.25 G8	1
14	SE-101765-10	FHTMS .25-20 X 1.75	2
15	SE-101793	BLOCK, STOP	1
16	SE-101799	SHIM. STOP BLOCK	1
17	SE-101850	SPACER, .50 X .25 X .31 NY	2
18	SE-101754-01	WASHER, PLAIN 1/4"	2
19	SE-102370-02	NYLOCK NUT, .25-20 SS	2
20	SE-101770-03	FNUT 3/8-16 G8	4

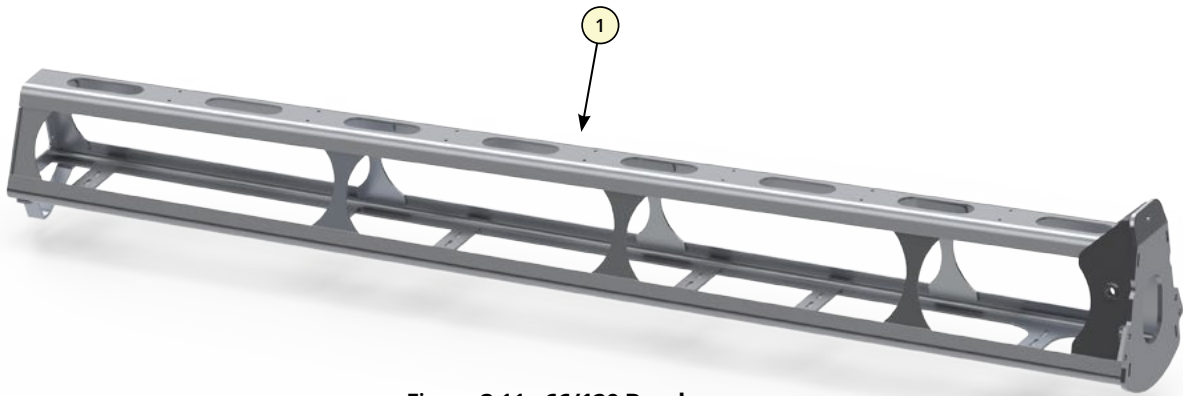


Figure 3.11 - 66/120 Breakaway

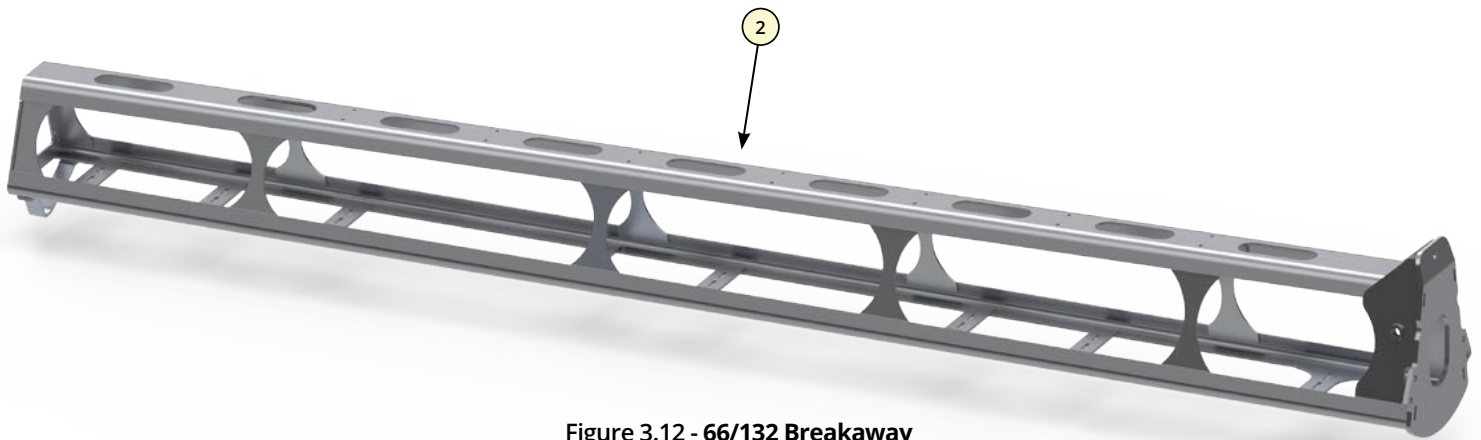


Figure 3.12 - 66/132 Breakaway

Ref #	Part #	Description	Qty
NOT SHOWN	SE-104197-01	BREAKAWAY, 66-120, 15N, LH	1
1	SE-104196-01	BREAKAWAY, 66-120, 15N, RH	1
NOT SHOWN	SE-104197-02	BREAKAWAY, 66-120, 20F, LH	1
NOT SHOWN	SE-104196-02	BREAKAWAY, 66-120, 20F, RH	1
NOT SHOWN	SE-104197-03	BREAKAWAY, 66-132, 15N, LH	1
2	SE-104196-03	BREAKAWAY, 66-132, 15N, RH	1
NOT SHOWN	SE-104197-07	BREAKAWAY, 66-132, 19N, LH	1
NOT SHOWN	SE-104196-07	BREAKAWAY, 66-132, 19N, RH	1
NOT SHOWN	SE-104197-04	BREAKAWAY, 66-132, 20F, LH	1
NOT SHOWN	SE-104196-04	BREAKAWAY, 66-132, 20F, RH	1

## 3.2 - BREAKAWAY SECTION

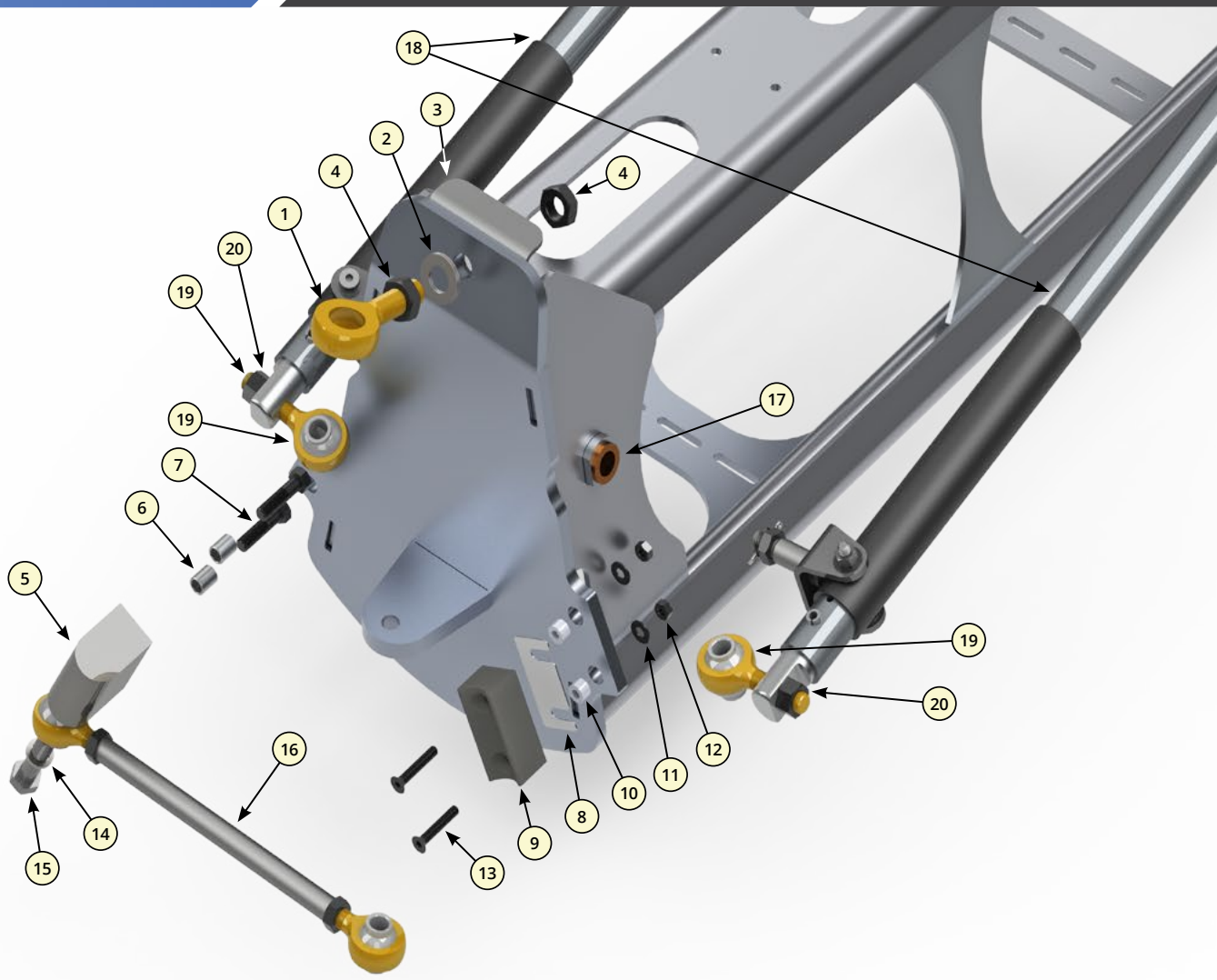


Figure 3.21 - Breakaway damper (exploded view)

Ref #	Part #	Description	Qty
1	SE-101797	ROD END, UPPER BALL JOINT	1
2	SE-101761-06	WASHER, NORD-LOCK 5/8SP	1
3	SE-102933	BRACKET, PIVOT SPRT	1
4	SE-101758-07	JAM NUT 5/8-18	2
5	SE-101792	BLOCK, LWR PIVOT MTG	1
6	SE-101796	DOWEL, ALIGNMENT	2
7	SE-101772-02	FHCS 3/8-16X1.25 G8	2
8	SE-101799	SHIM, STOP BLOCK	1
9	SE-101793	BLOCK, STOP	1
10	SE-101850	SPACER, .50 X .25 X .31 NY	2
11	SE-101754-01	WASHER, PLAIN 1/4	2
12	SE-102370-02	NYLOCK NUT 1/2-20 SS	2
13	SE-101765-05	FHTMS .25-20 X 2.0	2
14	SE-101760-05	WASHER, NORD-LOCK 1/2	1
15	SE-101751-08	CAPSCREW .50-13 X 2.25 G8	1
16	SE-101856	LINK ASSY, HINGE	1
17	SE-101857	BEARING, FLANGED SLEEVE	4
18	SE-103578	DAMPER ASSY	2
19	SE-101798	ROD END, LWR BALL JOINT	2
20	SE-101861-05	JAM NUT 1/2-20 UNF-2B	2



Figure 4.12 - AGCO RH boom cradle (bottom view)

Figure 4.11 - AGCO LH boom cradle (top view)

Ref #	Part #	Description	Qty
1	SE-103500	LH BOOM CRADLE	1
2	SE-103508	RH BOOM CRADLE	1



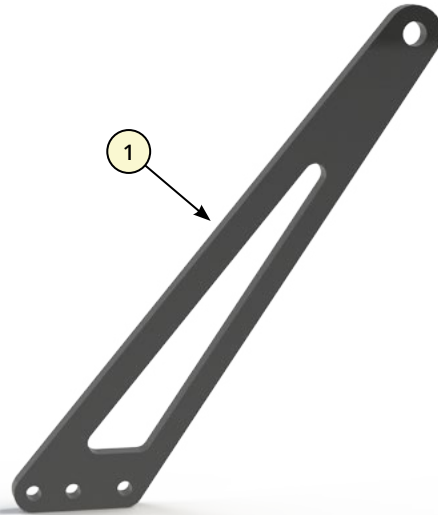


Figure 4.21 - Lift Lug Ear

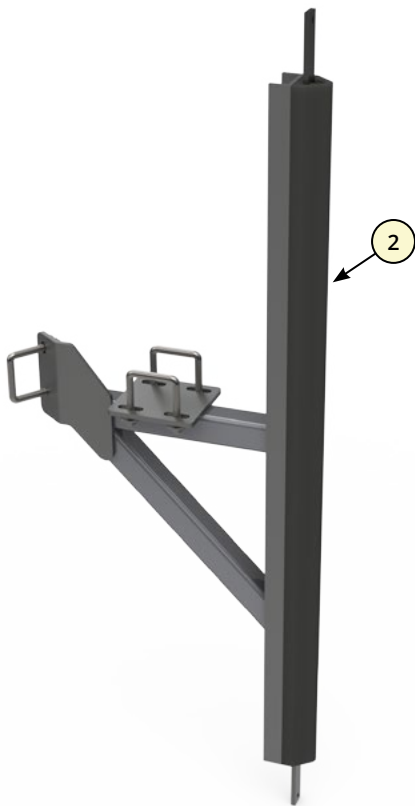


Figure 4.22 - Bump Stop RH

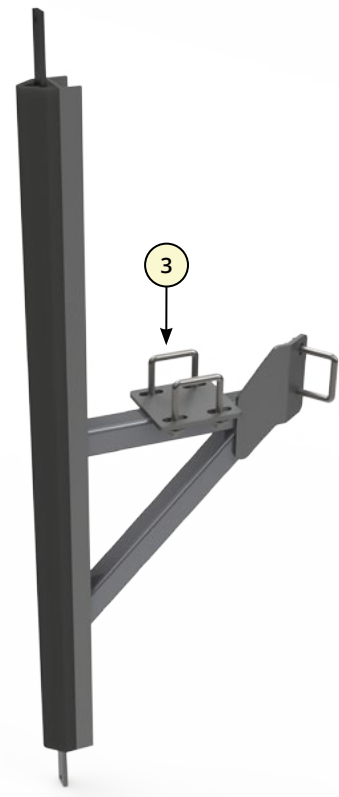


Figure 4.23 - Bump Stop LH

Ref #	Part #	Description	Qty
1	SE-101831	LIFT LUG EAR	1
2	SE-104288-01	BUMP STOP RH	1
3	SE-104288-02	BUMP STOP LH	1

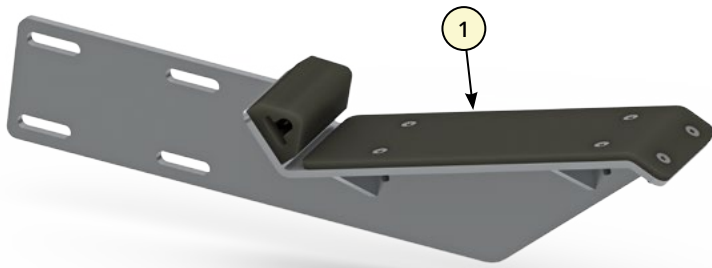


Figure 4.31 - RH Secondary Shelf Bracket

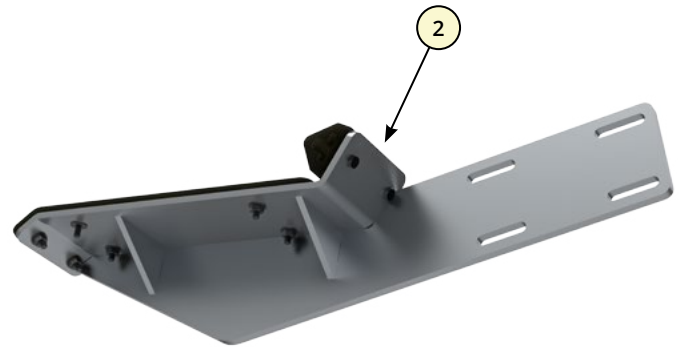


Figure 4.32 - LH Secondary Shelf Bracket (*bottom view*)

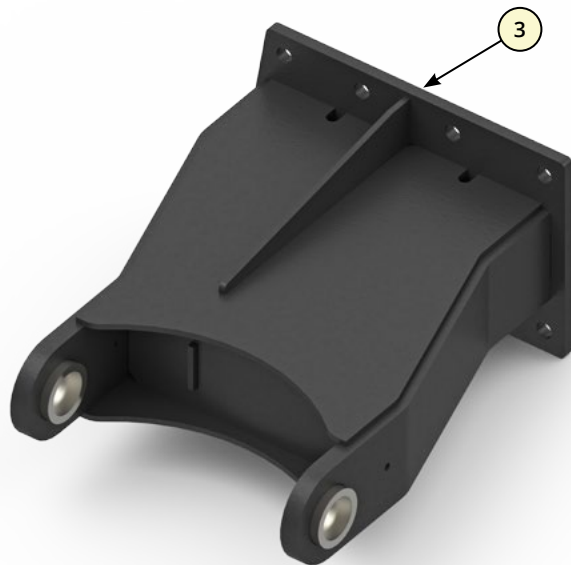


Figure 4.33 - RH AGCO attachment bracket

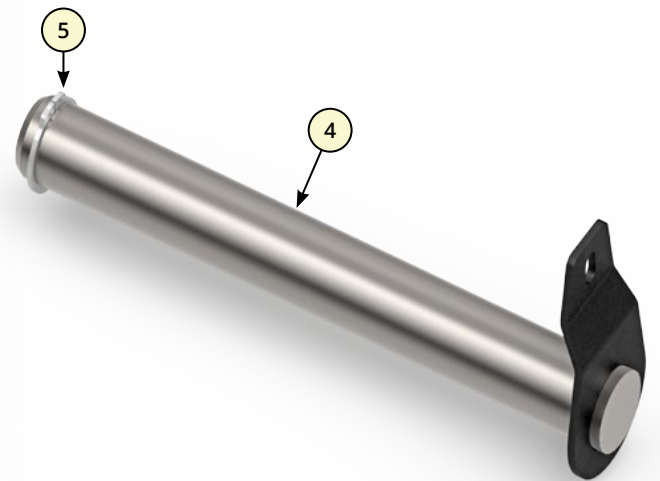


Figure 4.34 - Pin assembly & ring

Ref #	Part #	Description	Qty
1	SE-100668	LH SECONDARY SHELF BRACKET ( <i>MAY USE 102918 - VERIFY BEFORE ORDER</i> )	1
2	SE-100102	RH SECONDARY SHELF BRACKET ( <i>MAY USE 102918 - VERIFY BEFORE ORDER</i> )	1
<i>NOT SHOWN</i>	SE-101824	LH ATTACHMENT BRACKET	1
3	SE-101825	RH ATTACHMENT BRACKET	1
4	SE-101878	PIN ASSY	1
5	SE-101879	PIN RING	1

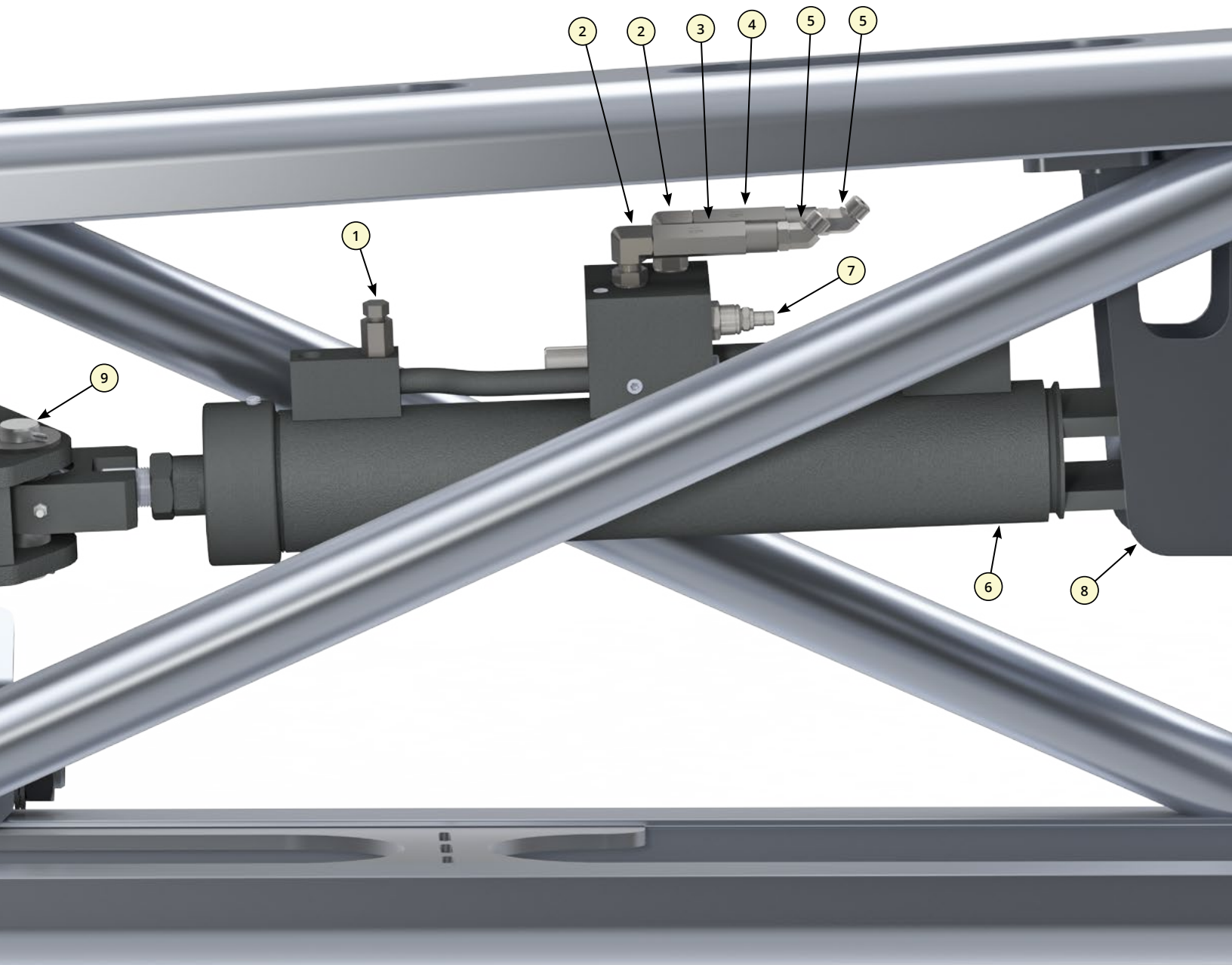


Figure 4.41 - Fold Cylinder Hydraulics

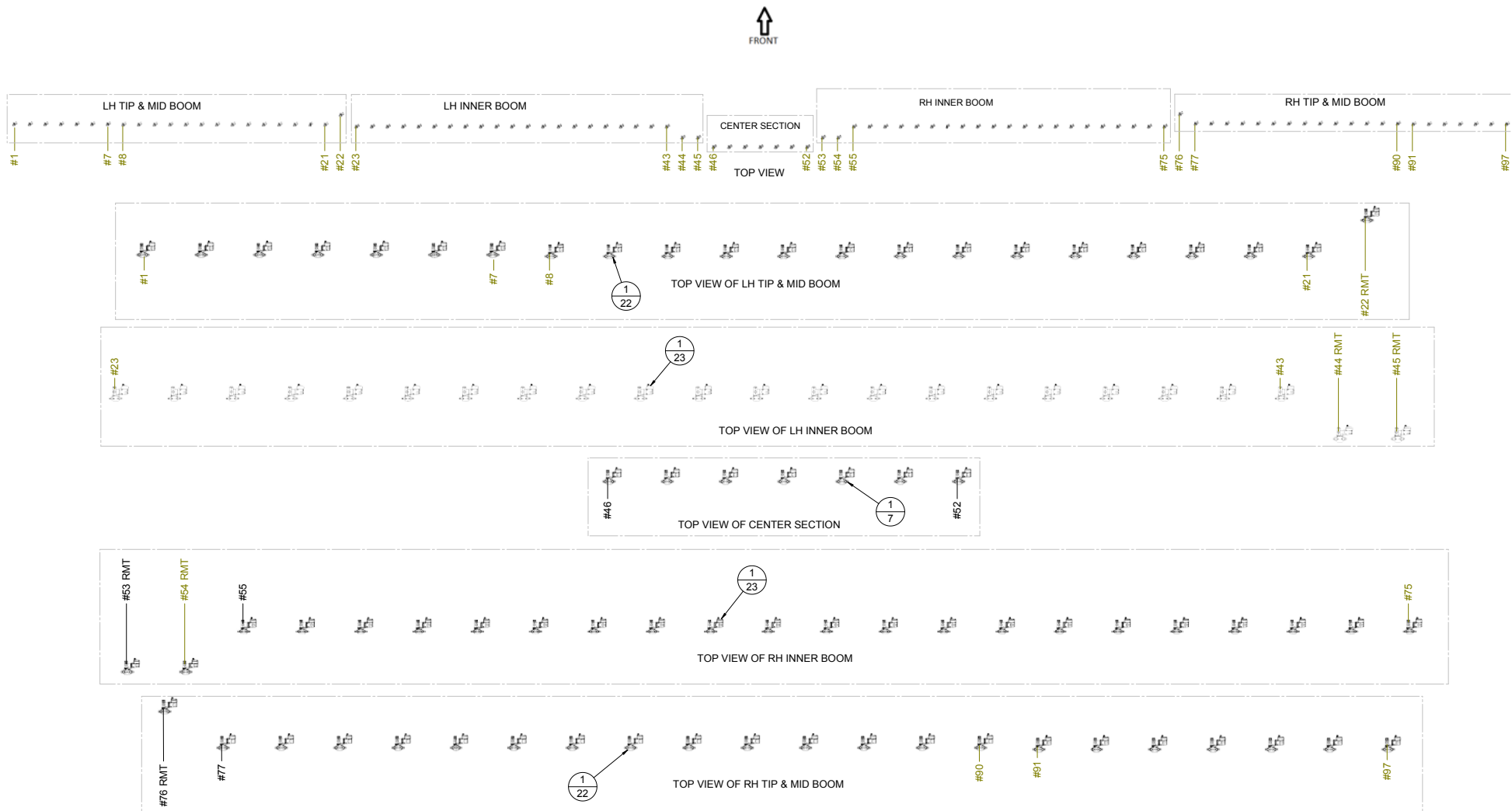
Ref #	Part #	Description	Qty
1	A6-ABV	BLEEDER	2
2	4515X4X6	FTTG, 90, 0.25 TUBE X 38" ORB	1
3	1456-1-0.50	.5" FLOW VALVE	1
4	1456-1-0.75	.75" FLOW VALVE	1
5	4365X4X6	FITTING, 45 O-RING	2
6	SE-103923	AGCO AUTOFOLD CYLINDER	1
7	SE-68177	RELIEF VALVE	1
8	SE-103926	CYL ANCHOR BKT, RH BOOM	1
NOT SHOWN	SE-103930	CYL ANCHOR BKT, LH BOOM	1
9	SE-104065	PIN, 1.00 X 3.88 SS	2





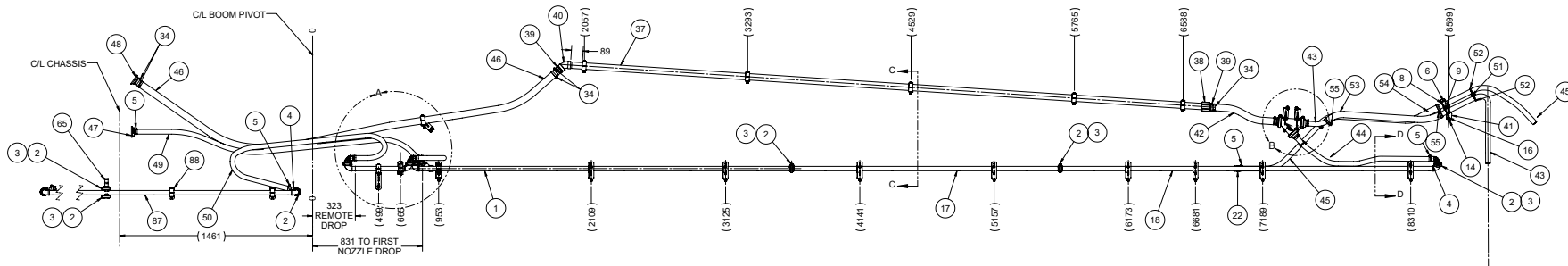
6	588750D1	CABLE-4-WAY,90DEG,1100MM,M12	4
5	402294X1	TIE-CABLE,390MM X 7.6MM	186
4	588745D1	HARN-JUMPER,4WAY,90DEG,M12	35
3	588751D2	PLUG-M12,90 DEG,D-CODE	35
2	588748D1	CABLE-4 WAY,90 DEG,650MM,M12	56
1	930225D1	HARNESS-LIQ,BOOM,120X15 AL	2
ITEM NO.	PART NUMBER	DESCRIPTION	QTY

# 5.12 - 120 X 15 ON, NOZZLE LAYOUT

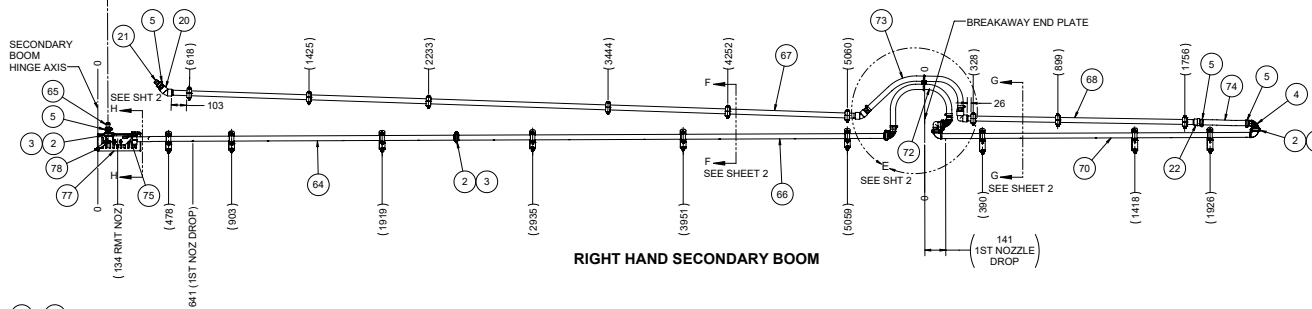


1	565201D2	NOZZLE, HYPRO 5-WAY	97
ITEM NO.	PART NUMBER	DESCRIPTION	QTY

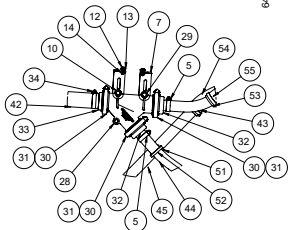
# 5.20 - 120 X 20 OFF, PLUMBING LAYOUT



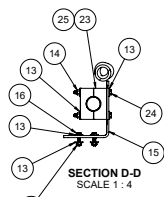
RIGHT HAND PRIMARY BOOM



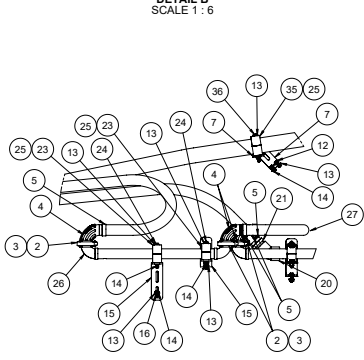
RIGHT HAND SECONDARY BOOM



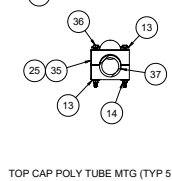
DETAIL B  
SCALE 1:6



SECTION D-D  
SCALE 1:4

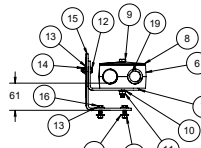


DETAIL A  
SCALE 1:6



SECTION C-C  
SCALE 1:4

TOP CAP POLY TUBE MTG (TYP 5 PLCS)



BOTTOM RAIL PLUMBING MTG (TYP 8 PLCS)

ITEM NO.	PART NUMBER	DESCRIPTION	QTY
88	597945D1	BRKT ASML STAUFF	4
87	582148B1	PIPE ASSY, 20", 6 NOZ	1
86	930133D1	NOZ PROTECTORLH	1
85	930133D1	BRACKET, LH RMT MTG	1
84	511528_340	HOSE, 1.0" ID X 350 MM LG	1
83	511528_900	HOSE, 1.0" ID X 900 MM LG	1
82	511528_825	HOSE, 1.0" ID X 825 MM LG	1
81	930007D1	PIPE WLDMT, SS 508SP SH BT LH	1
80	403016X1	CAPSCREW M8-1.25 X 30 SS	2
79	524311	CAPSCREW M8-1.25 X 25 SS	2
78	930135D1	SUPPORT NOZ PROTECTOR	2
77	930134D1	NOZ PROTECTOR, RH	1
76	930118D1	BRACKET, PLUMBING MTG	6
75	930162D1	BRACKET, RH RMT MTG	1
74	511528_340	HOSE, 1.0" ID X 340 MM LG	1
73	511528_900	HOSE, 1.0" ID X 900 MM LG	1
72	511528_825	HOSE, 1.0" ID X 825 MM LG	1
71	056274	COUPLING, M100, 90"	2
70	ACJ0007350	PIPE WLDMT, SS 508SP SHEL, EL	2
69	051127	ELBOW, 90", PIPE	2
68	930018D1	PIPE, 1.00 POLY X 60.00 LG	2
67	930097D1	PIPE, 1.00" POLY SCH 80 X 15.25"	2
66	930086D2	PIPE WLDMT, SS 508SP SH BT	2
65	056271	ADAPTOR, FLANGE, HOSE 1.0 ID	3
64	930003D1	PIPE WLDMT, SS 508SP SH BT RH	1
63	519495_1067	SLEEVE, NYLON PROTECTIVE -16	1
62	519495_1067	SLEEVE, NYLON PROTECTIVE -16	1
61	511528_2500	HOSE, 1.0" ID X 2500 MM LG	1
60	511528_2400	HOSE, 1.0" ID X 2400 MM LG	1
59	512230_3905	HOSE, 1.5" ID X 3905 MM LG	1
58	511528_2540	HOSE, 1.0" ID X 2540 MM LG	1
57	511528_1140	HOSE, 1.0" ID X 1140 MM LG	1
56	511528_2032	HOSE, 1.0" ID X 2032 MM LG	1
55	402294x1	TIE-CABLE, 390MM X 7.6MM	8
54	519495_1067	SLEEVE, NYLON PROTECTIVE -16	1
53	519495_1067	SLEEVE, NYLON PROTECTIVE -16	1

ITEM NO.	PART NUMBER	DESCRIPTION	QTY
52	402294x1	TIE-CABLE, 390MM X 7.6MM	12
51	5188141	SWIVEL SPACER, DUAL SADDLE	6
50	511528_2500	HOSE, 1.0" ID X 2500 MM LG	1
49	511528_2400	HOSE, 1.0" ID X 2400 MM LG	1
48	057994	FITTING, HOSE BARB 2.88 OD	2
47	965206x1	FITTING, HOSE BARB 1.30 OD	2
46	512230_3905	HOSE, 1.5" ID X 3905 MM LG	1
45	511528_2540	HOSE, 1.0" ID X 2540 MM LG	1
44	511528_1140	HOSE, 1.0" ID X 1140 MM LG	1
43	511528_2032	HOSE, 1.0" ID X 2032 MM LG	1
42	512230_500	HOSE, 1.5 ID X 500 MM LG	2
41	930162D1	BRACKET, TAIL HINGE SUPPORT	2
40	051888	ELBOW, 45" PIPE 1.50 OD	1
39	003796	ADAPTER, HOSE 1.33 ID	2
38	050271	COUPLING, PIPE 1.50 NPT PP	2
37	930098D1	PIPE, FEEDER 48.3 X 4825 MM	2
36	522063	CAPSCREW M6-1.0 X 90 SS	24
35	519180	CLAMP ASSY, SGL PIPE 1.88 OD	12
34	561231	CLAMP, WORM 2.0 OD HOSE	12
33	056291	BARB, HOSE 2.0 F.O.D X 1.5 BARB PP	2
32	057553	ADAPTER, FLANGE HOSE 75 ID	4
31	537075x1	SEAL	6
30	056785	CLAMP, FLANGE 2.00	6
29	561878	CAPSCREW M8-1.25 X 110 ZN	4
28	545527x1	ADAPTER, WYE 1.50 ID	2
27	586051D1_381	HOSE, TIGHT BEND 1.0" ID X 381 MM	2
26	930090D1	PIPE WLDMT, SS 508SP 1H STR	2
25	609777	INSERT, STAUFF SPACER	112
24	403015X1	CAPSCREW M6-1.0 X 80 SS	88
23	519748	CLAMP ASSY, PIPE 1.31 OD	44
22	122510	ADAPTER, 1.0 ID HOSE TO 1.31 PIPE	4
21	051059	HOSE BARB, 1.0 ID TO MALE PIPE	8
20	519839	ELBOW, 45D 1/4 FPT POLY	6
19	579385x1	PIPE, 1.00" POLY SCH 80 X 20.0"	2
18	930030D2	PIPE WLDMT, SS 508SP, 6H ST	2
17	930011D1	PIPE WLDMT, SS 508SP, 4H BT	2
16	522068	CAPSCREW M6-1.0 X 25 SS	84
15	930018D1	BRACKET, STANDOFF, L	34
14	330522	NYLON LOCKW, M6-1.0 SS	222
13	E105471	FLWASH, ND M6 SS	418
12	520745	CAPSCREW M6-1.0 X 20 SS	26
11	E105163	LOCKW, NYLON M6-1.25 SS	26
10	E105319	FLWASH, M6 SS	30
9	403018X1	CAPSCREW M8-1.25 X 80 SS	18
8	579357x1	PLATE, CLAMP DBL	18
7	579385x1	BRACKET, STANDOFF 90" SINGLE	24
6	579356x1	CLAMP, PIPE DBL 1.33 OD	18
5	561213	CLAMP, WORM 1.50 OD HOSE	36
4	545541x1	ELBOW, 90" PIPE FLANGE TO HOSE	16
3	533955x1	SEAL, PIPE FLANGE	28
2	056778	CLAMP, FLANGE 1.00	28
1	56102D1	PIPE WLDMT, SS 508SP, 6H BT	2

△ B	7	402623X1	MOUNT-CLAMP, EDGE	2
	6	402294X1	TIE-CABLE,390mm X 7.6mm	187
	5	588745D1	HARN-JUMPER,4WAY,90DEG,M12	36
	4	588749D1	CABLE-4 WAY,90 DEG,800MM,M12	33
△ B	3	588750D1	CABLE-4 WAY,90 DEG,1100MM,M12	3
	2	588751D2	PLUG-M12,SS	36
	1	930042D1	HARNESS-LIQ,BOOM,120X20 AL	2
	ITEM NO.	PART NUMBER	DESCRIPTION	QTY

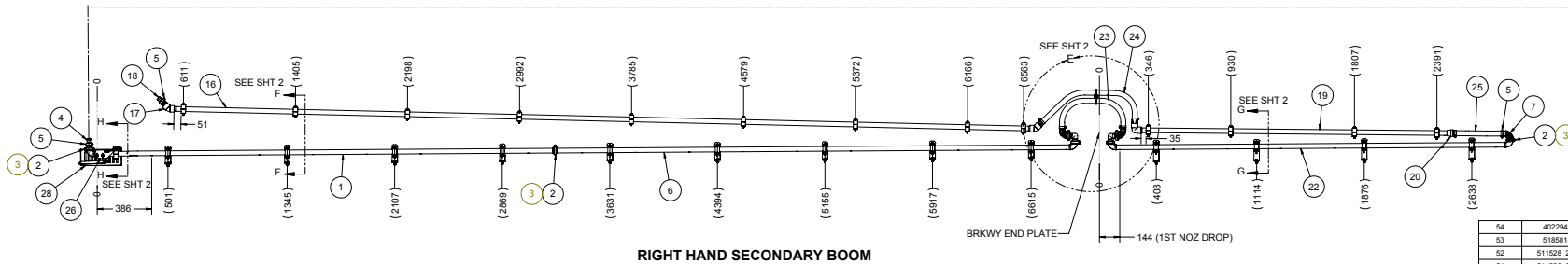
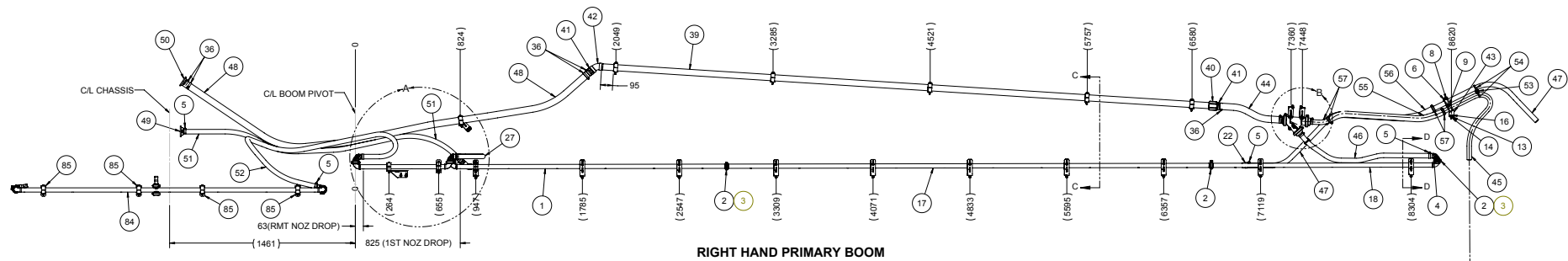


# 5.22 - 120 X 20 OFF, NOZZLE LAYOUT

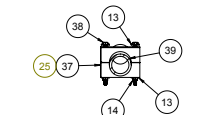
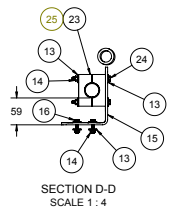
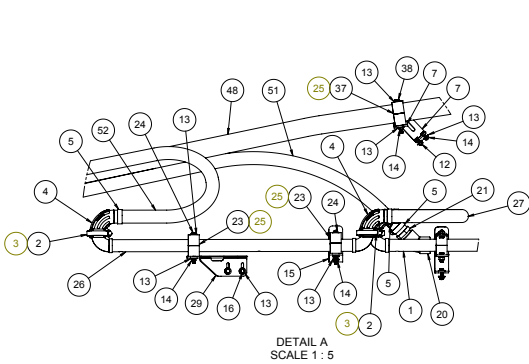


1	565201D2	NOZZLE, HYPRO 5-WAY	72
ITEM NO.	PART NUMBER	DESCRIPTION	QTY

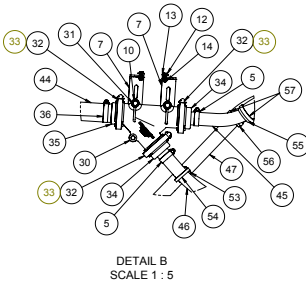
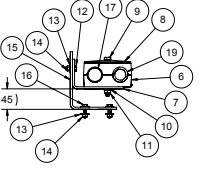
# 5.30 - 132 X 15 ON, PLUMBING LAYOUT



54	402294x1	TIE-CABLE, 390MM X 7.6MM	12
53	51889141	SHVEL SPACER, DUAL SADDLE	1
52	511528_2500	HOSE, 1.0" ID X 2500 MM LG	1
51	511528_2400	HOSE, 1.0" ID X 2400 MM LG	1
50	057594	FITTING, HOSE BARB 2.88 OD	2
49	56520941	FITTING, HOSE BARB 1.00 OD	2
48	512230_3905	HOSE, 1.5" ID X 3905 MM LG	1
47	511528_2540	HOSE, 1.0" ID X 2540 MM LG	1
46	511528_1140	HOSE, 1.0" ID X 1140 MM LG	1
45	511528_2032	HOSE, 1.0" ID X 2032 MM LG	1
44	512230_500	HOSE, 1.5 ID X 500 MM LG	2
43	930162D1	BRACKET-AL, HINGE SUPPORT	2
42	051888	ELBOW, 45° PIPE 1.00 OD	2
41	000766	ADAPTER, HOSE 1.33 ID	4
40	060271	COUPLING, PIPE 1.50 NPT PP	2
39	930098D1	PIPE, FRIEDR 48.3 X 483 MM	2
38	522063	CAPSCREW M8-1.0 X 30 SS	24
37	519180	CLAMP ASSY, SGL PIPE 1.88 OD	12
36	561231	CLAMP, WORM 2.0 OD HOSE	12
35	056291	BARB, HOSE 2.0 FLG X 1.5 BARB PP	2
34	057593	ADAPTER, FLANGE HOSE, 75 ID	4
33	537075d1	SEAL	6
32	056785	CLAMP, FLANGE 2.00	6
31	651678	CAPSCREW M8-1.25 X 110 ZN	4
30	545527d1	ADAPTER, WVE 1.50 ID	1
29	930102D1	BRACKET, RH RMT MTG	2
28	930103D1	BRACKET, LH RMT MTG	1
27	586201D1_381	HOSE, TIGHT BEND 1.0" ID X 381 MM	2
26	930191D1	PIPE WLD.MT, SS 381SP 2H STR	2
25	609777	INSERT, STAFF SPACER	144
24	40301541	CAPSCREW M8-1.0 X 80 SS	120
23	519748	CLAMP ASSY, PIPE 1.31 OD	4
22	122510	ADAPTER, 1.0 ID HOSE TO 1.31 PIPE	4
21	051059	HOSE BARB, 1.0 ID TO MALE PIPE	8
20	519838	ELBOW, 45D 1.00 FNPT POLY	6
19	579383d1	PIPE, 1.00" POLY SCH 80 X 20.0'	4
18	930197D1	PIPE WLD.MT, SS 381SP, 8H ST	2
17	5622681D1	PIPE WLD.MT, SS, 381SP, 10H ST	2
16	522068	CAPSCREW M8-1.0 X 25 SS	60
15	930018D1	BRACKET, STANDOFF, L	108
14	330522	NYLON LKNUIT, M8-1.0 SS	274
13	E105471	PLWASH, WD M8 SS	524
12	520745	CAPSCREW M8-1.0 X 20 SS	28
11	E105163	LKNUIT, NYLON M8-1.25 SS	28
10	E105118	PLWASH, M8 SS	32
9	40301841	CAPSCREW M8-1.0 X 80 SS	20
8	579357d1	PLATE, CLAMP DBL	20
7	570853d1	BRACKET, STANDOFF 90° SINGLE	26
6	579356d1	CLAMP, PIPE DBL 1.33 OD	20
5	561213	CLAMP, WORM 1.50 OD HOSE	36
4	545541d1	ELBOW, 90° PIPE FLANGE TO HOSE	14
3	533905d1	SEAL, PIPE FLANGE	26
2	056776	SEAL, PIPE FLANGE 1.00	26
1	582057D1	PIPE WLD.MT, SS, 381SP, 8H, ST	2



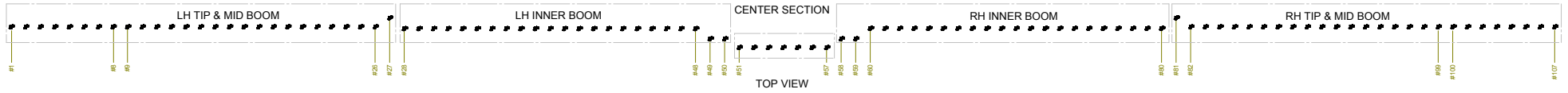
TOP CAP POLY TUBE MTG (TYP 5 PLCS)



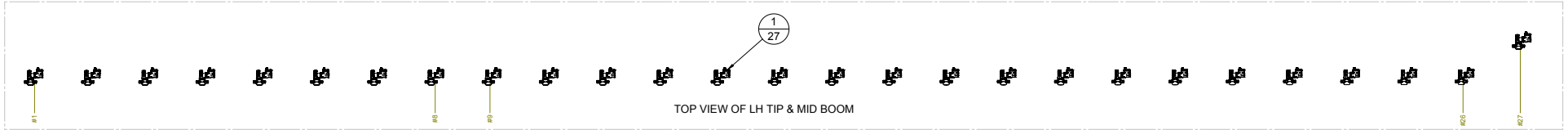
ITEM NO.	PART NUMBER	DESCRIPTION	QTY
85	597945D1	BRKT ASM, L STAFF	4
84	582072D2	PIPE ASM, 2U16, 6X15, SS, RGN, LPR	1
83	930133D1	NOZ PROTECTOR, LH	1
82	930195D1	PIPE WLD.MT, SS 381SP 9H BT LH	1
81	524341	CAPSCREW M8-1.25 X 25 SS	2
80	403016X1	CAPSCREW M8-1.25 X 30 SS	2
79	930196D1	SUPPORT NOZ PROTECTOR	2
78	930134D1	NOZ PROTECTOR, RH	1
77	930118D1	BRACKET, PLUMBING MTG	8
76	930201D1	BRACKET, RMT MTG	2
75	511528_375	HOSE, 1.0" ID X 375 MM LG	2
74	511528_900	HOSE, 1.0" ID X 900 MM LG	2
73	511528_825	HOSE, 1.0 ID X 825 MM LG	2
72	AC:0007380	PIPE WLD.MT, SS 381SP, 9H, E, L, E, L	2
71	051127	ELBOW, 90°, PIPE	2
70	930224D1	PIPE, 2.5" POLY X 224 LG	2
69	056274	COUPLING, M100, 90°	4
68	930200D1	PIPE WLD.MT, SS 381SP, 10H, ST, EL	2
67	056271	ADAPTOR, FLANGE HOSE 1.0 ID	2
66	930193D1	PIPE WLD.MT, SS 381SP 9H BT RH	1
65	519495_1067	SLEEVE, NYLON PROTECTIVE -16	1
64	519495_1067	SLEEVE, NYLON PROTECTIVE -16	1
63	511528_2500	HOSE, 1.0" ID X 2500 MM LG	1
62	511528_2400	HOSE, 1.0" ID X 2400 MM LG	1
61	512230_3905	HOSE, 1.5" ID X 3905 MM LG	1
60	511528_2540	HOSE, 1.0" ID X 2540 MM LG	1
59	511528_1140	HOSE, 1.0" ID X 1140 MM LG	1
58	511528_2032	HOSE, 1.0" ID X 2032 MM LG	1
57	402294x1	TIE-CABLE, 390MM X 7.6MM	8
56	519495_1067	SLEEVE, NYLON PROTECTIVE -16	1
55	519495_1067	SLEEVE, NYLON PROTECTIVE -16	1

6	588750D1	CABLE-4WAY, 1100MM,M12	4
5	402294X1	TIE-CABLE,390MM X 7.6MM	200
4	588745D1	HARN-JUMPER,4WAY,90DEG,M12	35
3	588748D1	CABLE-4 WAY,90 DEG,650MM,M12	68
2	588751D2	PLUG-M12,90 DEG,D-CODE	35
1	930188D1	HARNESS-LIQ,BOOM,132X15 AL	2
ITEM NO.	PART NUMBER	DESCRIPTION	QTY

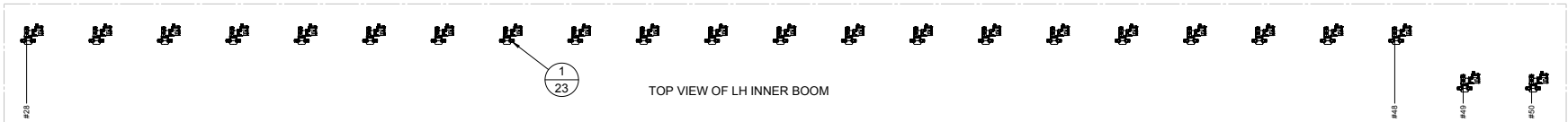
# 5.32 - 132 X 15 ON, NOZZLE LAYOUT



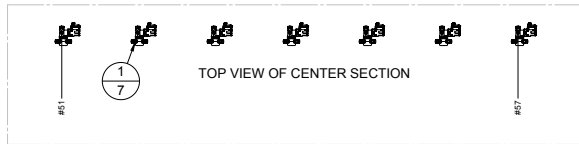
TOP VIEW



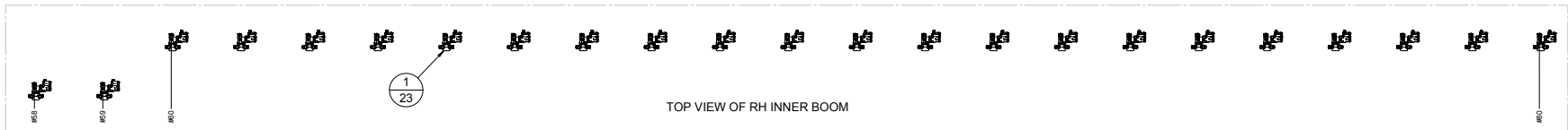
TOP VIEW OF LH TIP & MID BOOM



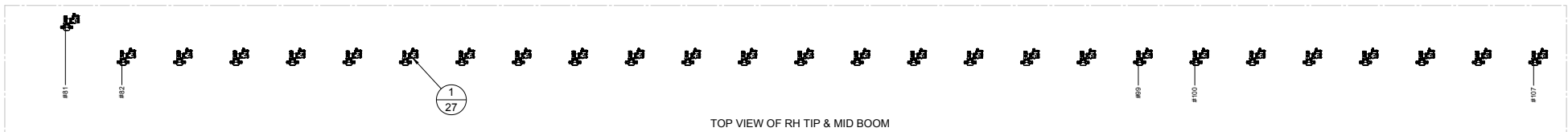
TOP VIEW OF LH INNER BOOM



TOP VIEW OF CENTER SECTION



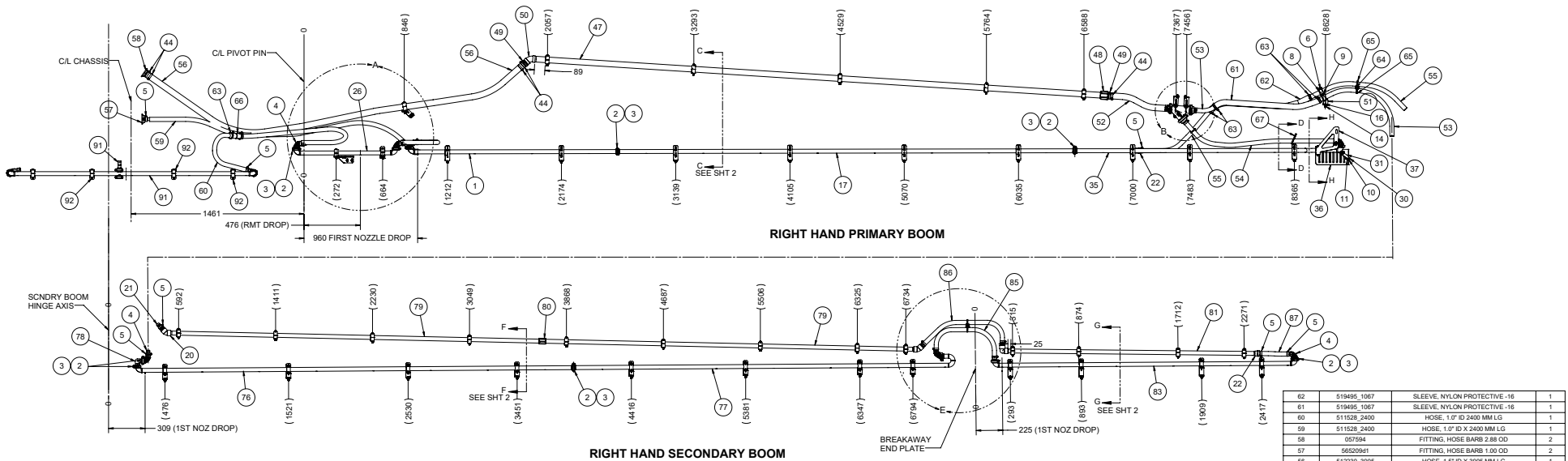
TOP VIEW OF RH INNER BOOM



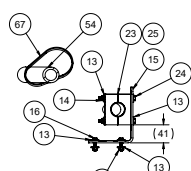
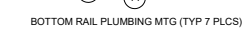
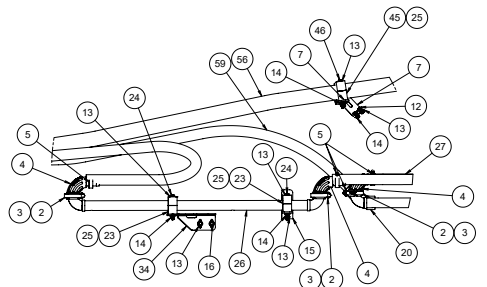
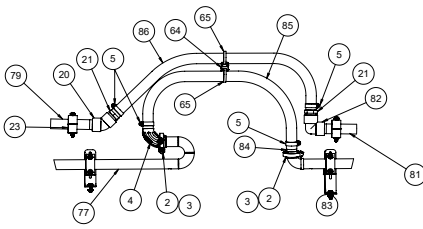
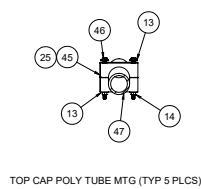
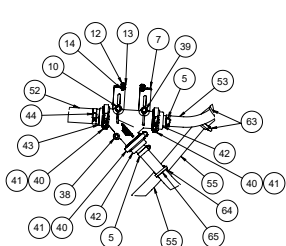
TOP VIEW OF RH TIP & MID BOOM

1	565201D2	NOZZLE, HYPRO 5-WAY	107
ITEM NO.	PART NUMBER	DESCRIPTION	QTY

# 5.40 - 132 X 19 ON, PLUMBING LAYOUT



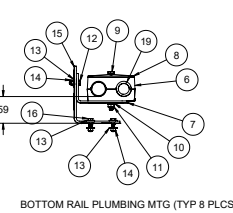
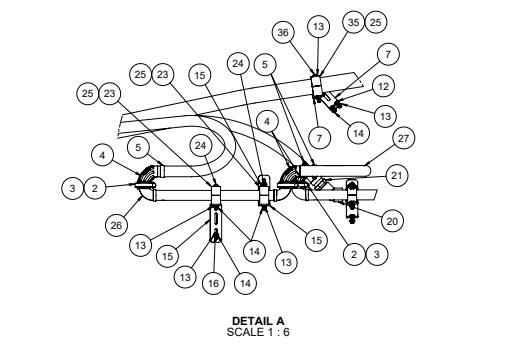
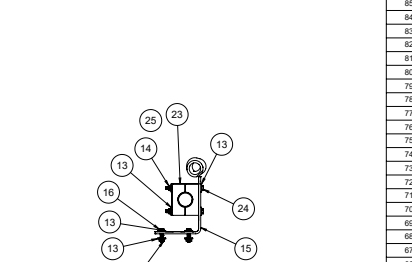
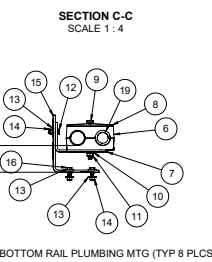
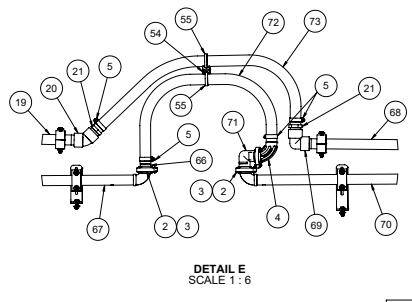
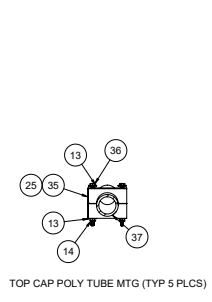
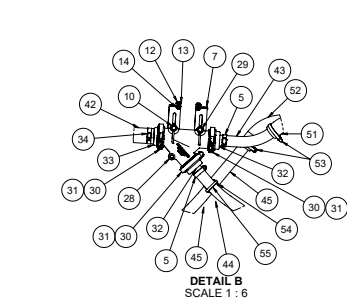
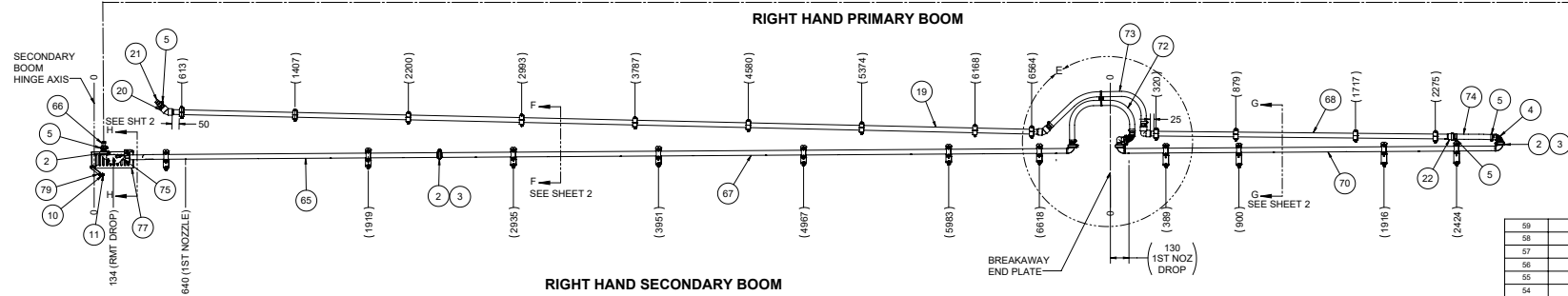
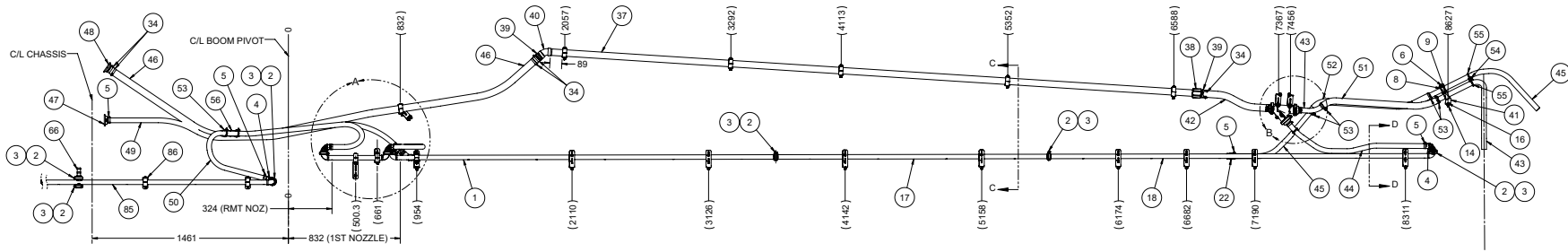
ITEM NO.	PART NUMBER	DESCRIPTION	QTY
62	519495_1067	SLEEVE, NYLON PROTECTIVE-16	1
61	519495_1067	SLEEVE, NYLON PROTECTIVE-16	1
60	511528_2400	HOSE, 1.0" ID X 2400 MM LG	1
59	511528_2400	HOSE, 1.0" ID X 2400 MM LG	1
58	091794	FITTING, HOSE BARB 2.00 OD	2
57	56520541	FITTING, HOSE BARB 1.00 OD	2
56	512230_3905	HOSE, 1.5" ID X 3905 MM LG	1
55	511528_2600	HOSE, 1.0" ID X 2600 MM LG	1
54	511528_1400	HOSE, 1.0" ID X 1400 MM LG	1
53	511528_2032	HOSE, 1.0" ID X 2032 MM LG	1
52	512230_3905	HOSE, 1.5 ID X 3905 MM LG	2
51	930162D1	BRACKET/L, HINGE SUPPORT	2
50	051888	ELBOW, 45° PIPE 1.90 OD	2
49	000766	ADAPTER, HOSE 1.33 ID	4
48	050271	COUPLING, PIPE 1.50 NPT PP	2
47	930098D1	PIPE, FEEDER 48.3 X 4825 MM	2
46	522003	CAPSCREW M6-1.0 X 90 SS	24
45	519180	CLAMP ASSY, SGL PIPE 1.88 OD	12
44	561231	CLAMP, WORM 2.0 OD HOSE	12
43	056291	BARB, HOSE 2.0 FLG X 1.5 BARB PP	2
42	057593	ADAPTER, FLANGE HOSE .75 ID	4
41	53707451	SEAL	6
40	050785	CLAMP, FLANGE 2.00	6
39	561676	CAPSCREW M6-1.25 X 110 ZN	4
38	54552741	ADAPTER, WYE 1.50 ID	2
37	ACJ0007390	WLDMT, SPRT BRKT, RH	1
36	930217D1	GUARD-NOZ PROTECTOR RH	1
35	344748	PIPE WLDMT-SS-483SP-SH-BT, RH	1
34	930102D1	BRACKET, RH RMT MTG	1
33	ACJ0007400	WLDMT, SPRT BRKT, LH	1
32	403016X1	CAPSCREW M6-1.25 X 30 SS	2
31	930216D1	SUPPORT NOZ PROTECTOR	2
30	52434	CAPSCREW M6-1.25 X 25 SS	2
29	930216D1	GUARD-NOZ PROTECTOR LH	1
28	930102D1	BRACKET, LH RMT MTG	1
27	582021D1_325	HOSE, TIGHT BEND 1.0" ID X 525 MM	2
26	930207D1	PIPE WLDMT, SS-483SP-2H-ELEL	2
25	609777	INSERT, STAUFF SPACER	144
24	403015X1	CAPSCREW M6-1.0 X 80 SS	120
23	519748	CLAMP ASSY, PIPE 1.31 OD	6
22	122510	ADAPTER, 1.0 ID HOSE TO 1.31 PIPE	4
21	051059	HOSE BARB, 1.0 ID TO MALE PIPE	8
20	519838	ELBOW, 45D 1.00 FNPT POLY	6
19	57938341	PIPE, 1.00" POLY SCH 80 X 20.0'	1
18	344740	PIPE WLDMT, SS-483SP-SH-BT, LH	2
17	344744	PIPE WLDMT, SS-483SP-SH-STR	2
16	522068	CAPSCREW M6-1.0 X 25 SS	84
15	930018D1	BRACKET, STANDOFF, L	36
14	330522	NYLON LKJNT, M6-1.0 SS	258
13	E104471	PLWASH, WD M6 SS	496
12	520745	CAPSCREW M6-1.0 X 20 SS	24
11	E105163	LNKJNT, NYLON M6-1.25 SS	24
10	E105318	FLWASH, M6 SS	30
9	403018X1	CAPSCREW M6-1.25 X 80 SS	16
8	57935741	PLATE, CLAMP DBL	16
7	57085341	BRACKET, STANDOFF 90° SINGLE	22
6	57935641	CLAMP, PIPE DBL 1.33 OD	16
5	561213	CLAMP, WORM 1.50 OD HOSE	36
4	54554111	ELBOW, 90° PIPE FLANGE TO HOSE	14
3	53395051	SEAL, PIPE FLANGE	24
2	056776	CLAMP, FLANGE 1.00	24
1	344765	PIPE WLDMT-SS-483SP-SH-ELEL,ST	2



92	597945D1	BRKT ASM-L STAUFF	4
91	344736	PIPE ASM-2L/16.5X19.5S, RGN, PR	1
90	511528_915	HOSE, 1.0" ID X 915 MM LG	1
89	511528_850	HOSE, 1.0 ID X 850 MM LG	1
88	930118D1	BRACKET, PLUMBING MTG	8
87	511528_300	HOSE, 1.0" ID X 300 MM LG	2
86	511528_915	HOSE, 1.0" ID X 915 MM LG	1
85	511528_800	HOSE, 1.0 ID X 800 MM LG	1
84	056274	ADAPTER, FLANGE HOSE 1.0 ID	2
83	ACJ0007300	PIPE WLDMT-SS-483SP-SH-ELEL	2
82	051127	ELBOW, 90°, PIPE	2
81	ACJ0007320	PIPE, 25.4 PP 2125MM	2
80	051131	COUPLING, PIPE 1.00 NPT PP	2
79	ACJ0007310	PIPE, 25.4 PP 3162MM	4
78	056274	COUPLING, W100, 90°	2
77	ACJ0007300	PIPE WLDMT-SS-483SP-7H-ELEL,ST	2
76	930213D1	PIPE WLDMT-SS-483SP-SH-ELEL,ST	2
75	519495_1067	SLEEVE, NYLON PROTECTIVE-16	1
74	519495_1067	SLEEVE, NYLON PROTECTIVE-16	1
73	511528_2400	HOSE, 1.0" ID X 2400 MM LG	1
72	511528_2400	HOSE, 1.0" ID X 2400 MM LG	1
71	512230_3905	HOSE, 1.5" ID X 3905 MM LG	1
70	511528_2670	HOSE, 1.0" ID X 2670 MM LG	1
69	511528_1400	HOSE, 1.0" ID X 1400 MM LG	1
68	511528_2032	HOSE, 1.0" ID X 2032 MM LG	1
67	402294X1	TIE-CABLE, 390MM X 7.6MM	2
66	519861	PROTECTOR HOSE	2
65	402294X1	TIE-CABLE, 390MM X 7.6MM	12
64	519861G1	SWIVEL-SPACER, DUAL SADDLE	6
63	402294X1	TIE-CABLE, 390MM X 7.6MM	12



# 5.50 - 132 X 20 OFF, PLUMBING LAYOUT



59	511528_2540	HOSE, 1.0" ID X 2540 MM LG	1
58	511528_1140	HOSE, 1.0" ID X 1140 MM LG	1
57	511528_2032	HOSE, 1.0" ID X 2032 MM LG	1
56	519861	PROTECTOR, HOSE	2
55	402294x1	TIE-CABLE, 390MM X 7.6MM	12
54	51986161	SHWEL-SPACER, DUAL SADDLE	8
53	402294x1	TIE-CABLE, 390MM X 7.6MM	12
52	519495_1067	SLEEVE, NYLON PROTECTIVE -16	1
51	519495_1067	SLEEVE, NYLON PROTECTIVE -16	1
50	511528_2500	HOSE, 1.0" ID 2500 MM LG	1
49	511528_2400	HOSE, 1.0" ID X 2400 MM LG	1
48	507594	FITTING, HOSE BARB 2.88 OD	2
47	502296F1	FITTING, HOSE BARB 1.00 OD	2
46	512230_3905	HOSE, 1.5" ID X 3905 MM LG	1
45	511528_2540	HOSE, 1.0" ID X 2540 MM LG	1
44	511528_1140	HOSE, 1.0" ID X 1140 MM LG	1
43	511528_2032	HOSE, 1.0" ID X 2032 MM LG	1
42	512230_500	HOSE, 1.5 ID X 500 MM LG	2
41	930162D1	BRACKET TAIL, HINGE SUPPORT	2
40	051886	ELBOW, 45° PIPE 1.00 OD	2
39	000766	ADAPTER, HOSE 1.33 ID	4
38	050271	COUPLING, PIPE 1.50 NPT PP	2
37	930968D1	PIPE FEEDER 48.3 X 4825 MM	2
36	622083	CAPSCREW M6-1.0 X 90 SS	24
35	519180	CLAMP ASSY, SGL PIPE 1.88 OD	12
34	561231	CLAMP, WORKM 2.0 OD HOSE	12
33	056291	BARB, HOSE 2.0 FLD X 1.5 BARB PP	2
32	057593	ADAPTER, FLANGE HOSE, 75 ID	4
31	537075d1	SEAL	6
30	056785	CLAMP, FLANGE 2.00	6
29	561678	CAPSCREW M8-1.25 X 110 ZN	4
28	545527d1	ADAPTER, WYE 1.50 ID	2
27	586201D1_381	HOSE, TIGHT BEND 1.0" ID X 381 MM	2
26	930300D1	PIPE WLDMT, SS 508SP, 116 STR	2
25	609777	INSERT, STALUF SPACER	138
24	403016X1	CAPSCREW M6-1.0 X 80 SS	114
23	519748	CLAMP ASSY, PIPE 1.31 OD	57
22	122510	ADAPTER, 1.0 ID HOSE TO 1.31 PIPE	4
21	051059	HOSE BARB, 1.0 ID TO MALE PIPE	8
20	519838	ELBOW, 45° FMP POLY	6
19	579836F1	PIPE WLDMT, SS 508SP, 20.0 BT	2
18	930302C2	PIPE WLDMT, SS 508SP, 6H BT	2
17	930011D1	PIPE WLDMT, SS 508SP, 4H BT	2
16	522068	CAPSCREW M6-1.0 X 25 SS	94
15	930018D1	CLAMP, STANDOFF, L	37
14	330522	NYLON LKNUIT, M6-1.0 SS	258
13	E105471	PLWASH, W6 M6 SS	490
12	520745	CAPSCREW M6-1.0 X 20 SS	26
11	E105163	LKNUIT, NYLON M6-1.25 SS	28
10	E105318	PLWASH, M6 SS	34
9	403018X1	CAPSCREW M8-1.25 X 20 SS	18
8	579357d1	PLATE, CLAMP DBL	18
7	570853d1	BRACKET, STANDOFF 90° SINGLE	24
6	579356d1	CLAMP, PIPE DBL, 1.33 OD	18
5	561215	CLAMP, WORKM 1.50 OD HOSE	36
4	545541d1	ELBOW, 90° PIPE FLANGE TO HOSE	14
3	533956d1	SEAL, PIPE FLANGE	28
2	056778	CLAMP, FLANGE 1.00	28
1	582102D1	PIPE WLDMT, SS 508SP, 6H BT	2
ITEM NO.	PART NUMBER	DESCRIPTION	QTY
ITEM NO.	PART NUMBER	DESCRIPTION	QTY

△A	6	588750D1	CABLE-4WAY, 1100MM	2
	5	402294X1	TIE-CABLE,390mm X 7.6mm	217
	4	588745D1	HARN-JUMPER,4WAY,90DEG,M12	36
△A	3	588749D1	CABLE-4 WAY,90 DEG,800MM,M12	42
△A	2	588751D2	PLUG-M12,SS	36
	1	930055D1	HARNESS-LIQ,BOOM,132X20 AL	2
	ITEM NO.	PART NUMBER	DESCRIPTION	QTY

# 5.52 - 132 X 20 OFF, NOZZLE LAYOUT



1	565201D2	NOZZLE, HYPRO 5-WAY	80
ITEM NO.	PART NUMBER	DESCRIPTION	QTY